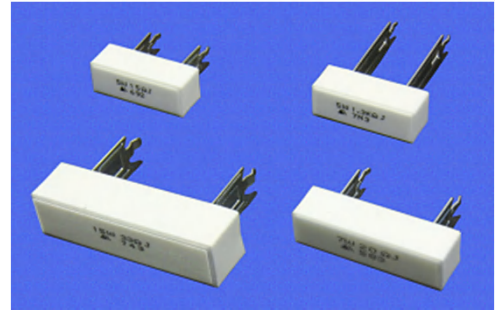


不燃性箱型巻線固定抵抗器 プリント基板自立端子形
Non-Flammable Wirewound Fixed Resistor, Off PC board Type

RF Z Type

特徴

- 電力形の抵抗器です Power type resistor
- 不燃性材料で構成されているため安全性に優れています Non-Flammable structure
- 対パルス・サージ特性に優れています Exclusive Anti-surge
- RoHS対応品です RoHS compliant



品番構成 Product number composition

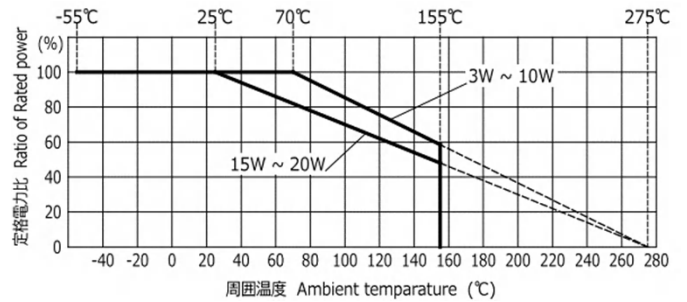
| RF | 5 | Z | J | 4R7 | |
|---|---------------------|---|--------------------------------|--|-------------------------------|
| 品目記号 Product Code | 定格電力 Rated Power | 形状・構造仕様 Style | 抵抗値許容差 Resistance tolerance | 公称抵抗値 Nominal Resistance value | 特殊仕様記号 Special spec |
| 巻線形固定抵抗器 Wirewound Fixed Resistor | 3 3W | Z 自立ロング端子 (2本爪) Long terminal (Dual nail) | J ±5% | 3桁表示 3Digits R47 = 0.47 Ω 4R7 = 4.7 Ω 470 = 47 Ω 471 = 470 Ω | N/A 標準仕様 Stanadard |
| | 5 5W | | K ±10% | | B 対パルス仕様 Anti-pulse type |
| | 7 7W | ZX 自立ショート端子 (1本爪) Short terminal (Single nail) | | | N 無誘導仕様 Non-Inductive type |
| | 10 10W | ZY 自立ロング端子 (1本爪) Long terminal (Single nail) | | | |
| | 15 15W | | | | |
| | 20 20W | | | | |

定格 Rating

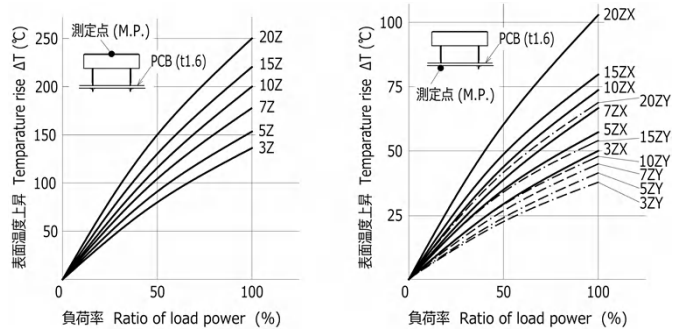
| 形式 Type | 定格電力 Rated Power | 標準抵抗値範囲 Standard Range of Resistance value (Ω) | 最高使用電圧 Max working Voltage | 最高過負荷電圧 Max. overload Voltage | 抵抗温度係数 T.C.R. (ppm/°C) |
|------------------|---------------------|---|----------------------------------|-------------------------------------|------------------------------|
| RF 3Z X Y | 3W | 0.1 ~ 910 | $E = \sqrt{P \cdot R}$ | $E = \sqrt{P \cdot R \cdot 10}$ | ±260 |
| RF 5Z X Y | 5W | 0.1 ~ 910 | | | |
| RF 7Z X Y | 7W | 0.12 ~ 1.5k | | | |
| RF 10Z X Y | 10W | 0.39 ~ 2.2k | | | |
| RF 15Z X Y | 15W | 0.47 ~ 2.2k | | | |
| RF 20Z X Y | 20W | 0.68 ~ 2.4k | | | |

E: 電圧 Voltage (V) P: 定格電力 Rated power (W)
R: 公称抵抗値 Nominal resistance value (Ω)

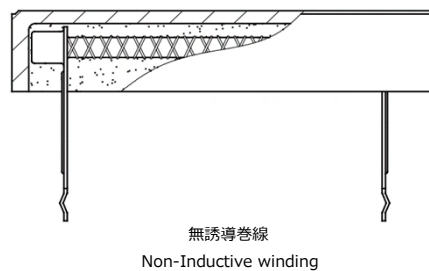
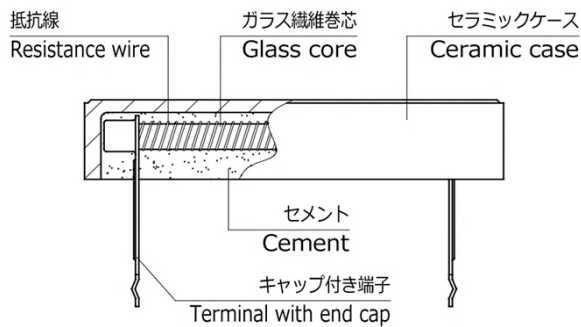
温度軽減曲線 Temperature delating curve



温度上昇 (代表値) Temperature rise (Typical)



構造図 Structure



本カタログに記載の仕様は予告なく変更する場合があります。ご注文およびご使用前に納入仕様書で内容をご確認ください。

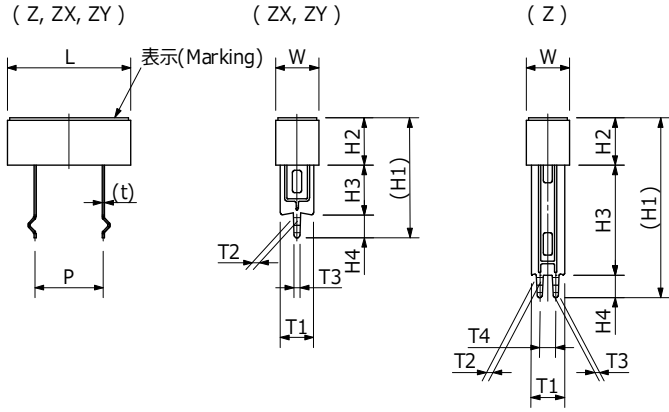
車載機器, 医療機器, 航空宇宙機器, 電熱機器などに使用され, 当製品の不具合により人命その他の重大な損害発生が予測される場合は, 必ずフェールセーフ設計を行い, 安全性の確保をお願いします。The design and specifications in this catalog are subject to change without prior notice. Please be sure to make a written agreement with us in advance.

Please install the following systems for a failsafe design to ensure safety if these products are to be used in equipment where a defect in these products may cause the loss of human life or other significant damage, such as damage to vehicles, medical equipment, aerospace equipment, and electric heating appliances.

不燃性箱型巻線固定抵抗器 プリント基板自立端子形
Non-Flammable Wirewound Fixed Resistor, Off PC board Type

RF Z Type

形状寸法 Dimension



推奨基板寸法 Recommended PCB hole

| 定格電圧 Power Rating (W) | 印刷配線板の穴寸法 Dimensions (mm) | | P |
|-----------------------------|------------------------------|---|------|
| | ZX, ZY | Z | |
| 3 | | | 10.0 |
| 5 | | | 15.0 |
| 7 | | | 22.5 |
| 10 | | | 35.0 |
| 15 | | | 32.5 |
| 20 | | | 47.5 |

| 形式 Type | 寸法 Dimensions (mm) | | | | | | | | | | | | |
|------------|--------------------|----------|--------------------|------|---------|----------------------------------|---------|---------|---------|---------|-----|-----|-----|
| | L | P ±1.5 | W ±1.0 | (H1) | H2 ±1.0 | H3 ⁺² / ₋₁ | H4 ±0.5 | T1 ±0.3 | T2 ±0.2 | T3 ±0.2 | T4 | (t) | |
| RF 3Z | — | 23.0±1.0 | 10.0 ⁺¹ | 9.5 | (36.0) | 9.5 | 22.0 | 4.5 | 7.3 | 1.5 | 1.0 | 3.5 | 0.5 |
| | X | 23.0±1.0 | 10.0 | 9.5 | (24.0) | 9.5 | 10.0 | 4.5 | 7.3 | 1.6 | 1.4 | — | 0.5 |
| | Y | 23.0±1.0 | 10.0 | 9.5 | (39.0) | 9.5 | 25.0 | 4.5 | 7.3 | 1.6 | 1.4 | — | 0.5 |
| RF 5Z | — | 27.0±1.0 | 15.0 ⁺¹ | 9.5 | (36.0) | 9.5 | 22.0 | 4.5 | 7.3 | 1.5 | 1.0 | 3.5 | 0.5 |
| | X | 27.0±1.0 | 15.0 | 9.5 | (24.0) | 9.5 | 10.0 | 4.5 | 7.3 | 1.6 | 1.4 | — | 0.5 |
| | Y | 27.0±1.0 | 15.0 | 9.5 | (39.0) | 9.5 | 25.0 | 4.5 | 7.3 | 1.6 | 1.4 | — | 0.5 |
| RF 7Z | — | 35.0±1.0 | 22.5 ⁺¹ | 9.5 | (36.0) | 9.5 | 22.0 | 4.5 | 7.3 | 1.5 | 1.0 | 3.5 | 0.5 |
| | X | 35.0±1.0 | 22.5 | 9.5 | (24.0) | 9.5 | 10.0 | 4.5 | 7.3 | 1.6 | 1.4 | — | 0.5 |
| | Y | 35.0±1.0 | 22.5 | 9.5 | (39.0) | 9.5 | 25.0 | 4.5 | 7.3 | 1.6 | 1.4 | — | 0.5 |
| RF 10Z | — | 48.0±1.5 | 35.0 ⁺¹ | 9.5 | (36.0) | 9.5 | 22.0 | 4.5 | 7.3 | 1.5 | 1.0 | 3.5 | 0.5 |
| | X | 48.0±1.5 | 35.0 | 9.5 | (24.0) | 9.5 | 10.0 | 4.5 | 7.3 | 1.6 | 1.4 | — | 0.5 |
| | Y | 48.0±1.5 | 35.0 | 9.5 | (39.0) | 9.5 | 25.0 | 4.5 | 7.3 | 1.6 | 1.4 | — | 0.5 |
| RF 15Z | — | 48.0±1.5 | 32.5 ⁺² | 12.5 | (47.5) | 12.5 | 30.0 | 5.0 | 10.0 | 2.0 | 1.5 | 5.0 | 0.5 |
| | X | 48.0±1.5 | 32.5 | 12.5 | (32.5) | 12.5 | 15.0 | 5.0 | 10.0 | 3.0 | 2.7 | — | 0.5 |
| | Y | 48.0±1.5 | 32.5 | 12.5 | (47.5) | 12.5 | 30.0 | 5.0 | 10.0 | 3.0 | 2.7 | — | 0.5 |
| RF 20Z | — | 63.5±1.5 | 47.5 ⁺² | 12.5 | (47.5) | 12.5 | 30.0 | 5.0 | 10.0 | 2.0 | 1.5 | 5.0 | 0.5 |
| | X | 63.5±1.5 | 47.5 | 12.5 | (32.5) | 12.5 | 15.0 | 5.0 | 10.0 | 3.0 | 2.7 | — | 0.5 |
| | Y | 63.5±1.5 | 47.5 | 12.5 | (47.5) | 12.5 | 30.0 | 5.0 | 10.0 | 3.0 | 2.7 | — | 0.5 |

注記： P寸法公差について †1 = +2~+6 mm †2 = 0~+4 mm Note : Tolerance of dimension "P" †1 = +2~+6 mm †2 = 0~+4 mm

本カタログに記載の仕様は予告なく変更する場合があります。ご注文およびご使用前に納入仕様書で内容をご確認ください。

車載機器, 医療機器, 航空宇宙機器, 電熱機器などに使用され, 当製品の不具合により人命その他の重大な損害発生が予測される場合は, 必ずフェールセーフ設計を行い, 安全性の確保をお願いします。
The design and specifications in this catalog are subject to change without prior notice. Please be sure to make a written agreement on the specifications with us in advance.

Please install the following systems for a failsafe design to ensure safety if these products are to be used in equipment where a defect in these products may cause the loss of human life or other significant damage, such as damage to vehicles, medical equipment, aerospace equipment, and electric heating appliances.